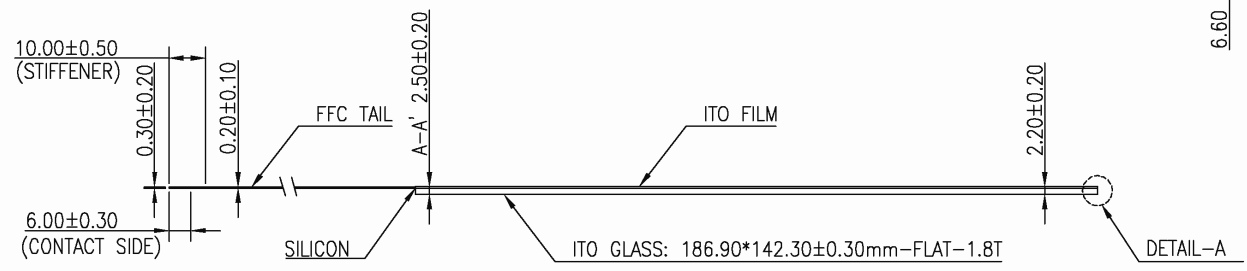
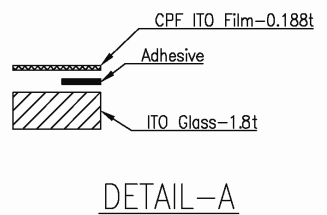
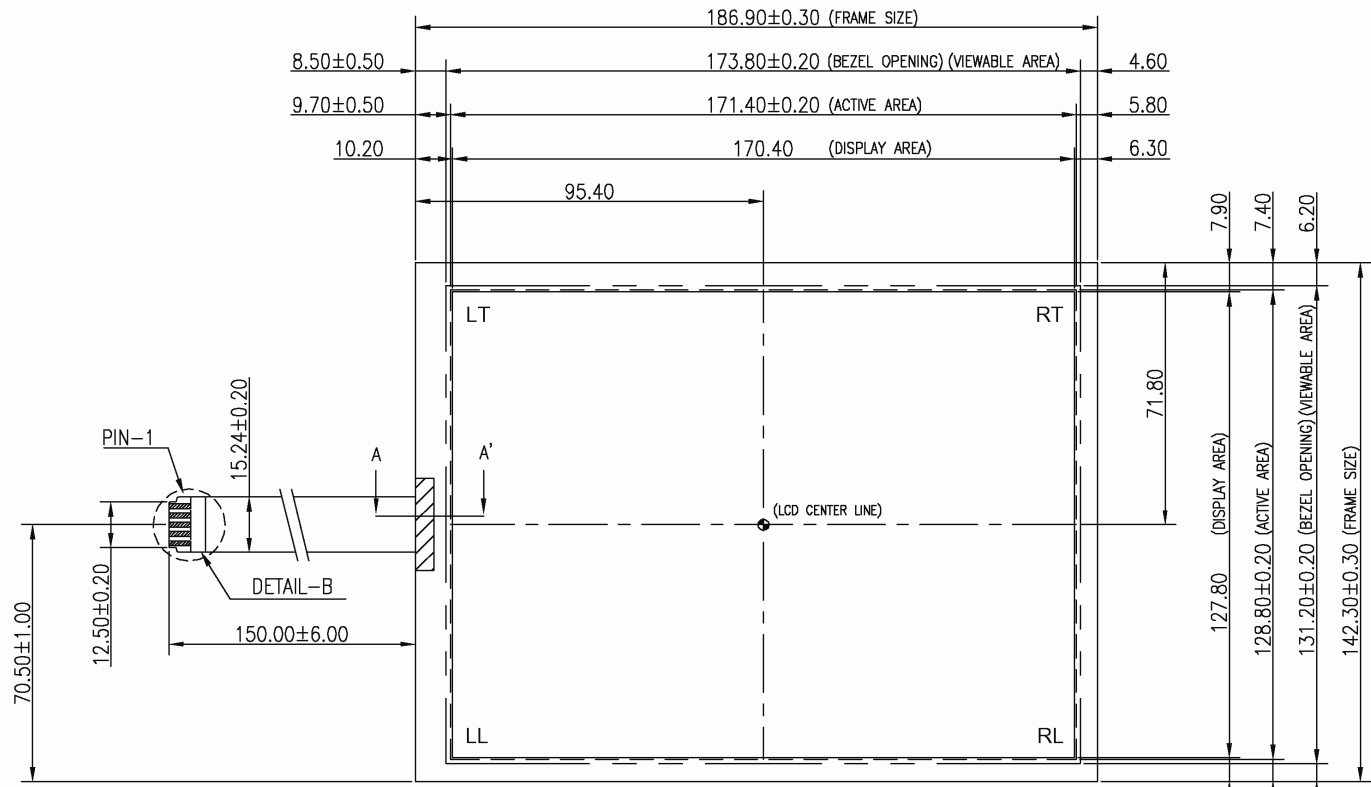
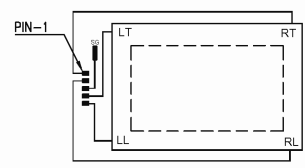


CONNECTOR PINOUT	
PIN NO.	DESIGNATION
1	RT
2	RL
3	SG
4	LT
5	LL



MODEL	GP-084F-5H-NB07B	TYPE	Analog Resistive	DATE	2009.07.31
UNIT	mm.	NO		CUSTOMER	
DRAWING	Daniel	NOTE	Five-Wire	APPROVED	

