

1. TOUCH PANEL PIN ASSIGNMENT

1	YU	Glass Terminal
2	XR	Film Terminal
3	YD	Glass Terminal
4	XL	Film Terminal

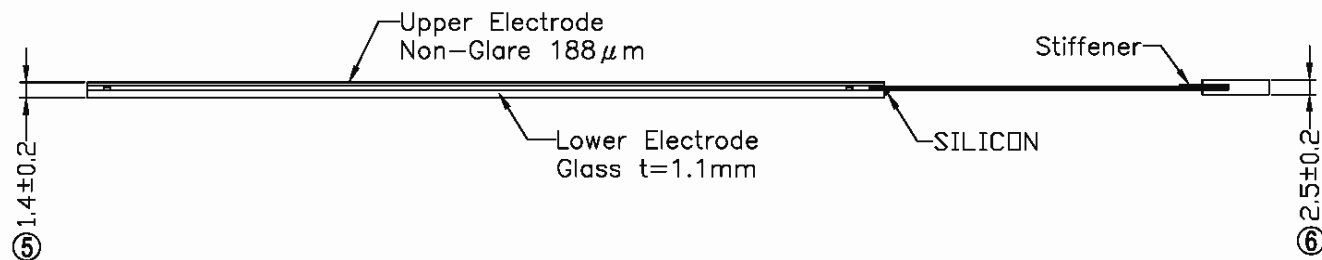
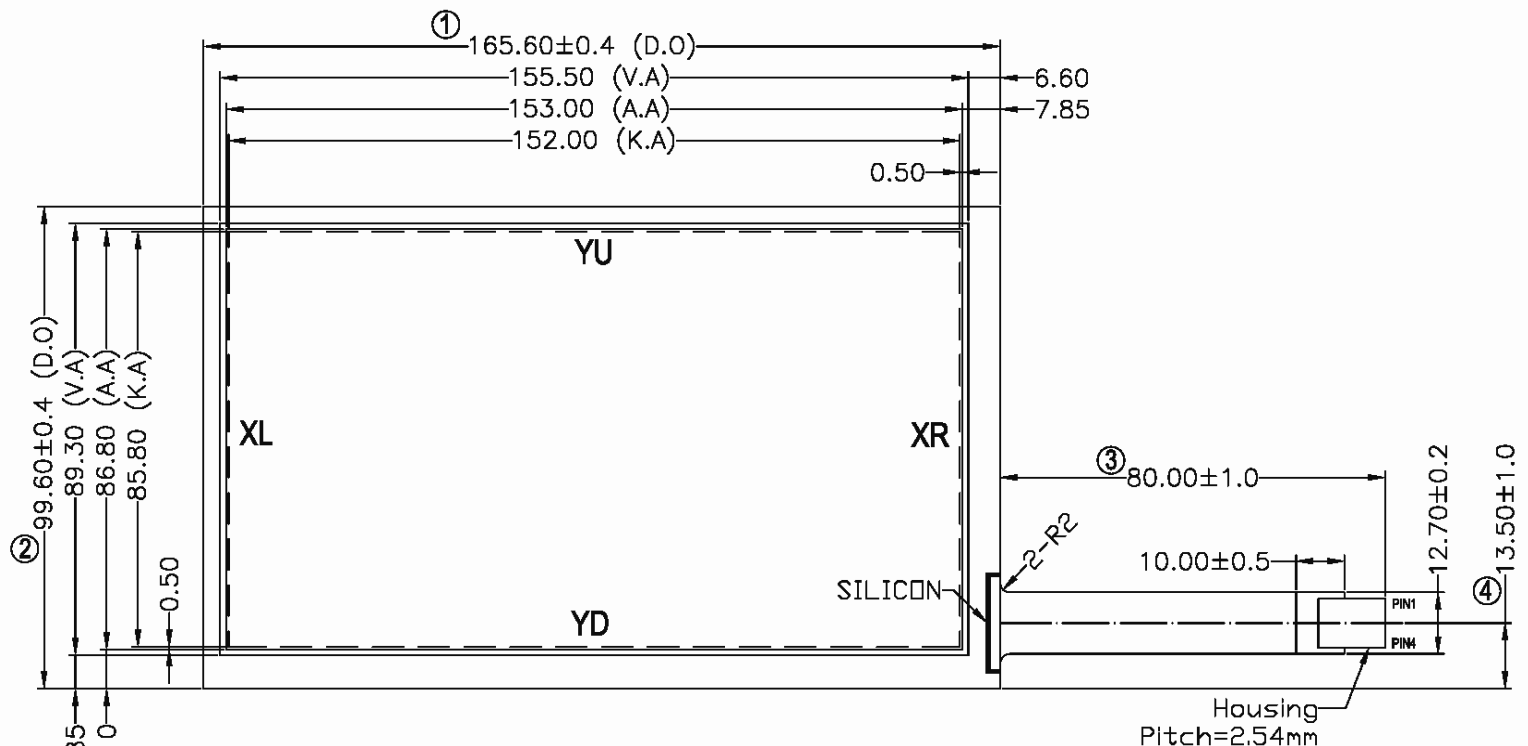
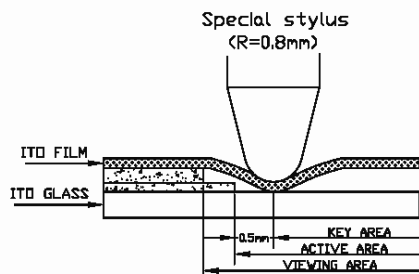
2. MATERIAL CHARACTERISTICS

Property	Requirement
Surface treatment	Anti-Glare
Bottom glass thickness	1.1mm
Light transmission	78%
Operation temperature	-10~50°C
Storage temperature	-20~70°C
Operating Humidity	20~90%RH
Storage Humidity	20~90%RH
Surface hardness	≥2H

3. ELECTRICAL CHARACTERISTICS

Property	Requirement
Type	Analog resistive 4 wire
Linearity	Max. 1.5%
X(2,4) resistance	260~880Ω
Y(1,3) resistance	190~420Ω
Insulation resistance	20 MΩ (DC 25V)

- 4.K.A : KEY AREA
- 5.A.A : ACTIVE AREA
- 6.V.A : VIEW AREA
- 7.D.O : DIMENSIONAL OUTLINE
- 8.Tolerance no specified: ±0.3mm



MODEL	GP-070F-4S-06	TYPE	Analog Resistive	DATE	2005.11.25
UNIT	mm.	NO	070406	CUSTOMER	
DRAWING	Daniel	NOTE	Four-Wire	APPROVED	

