

坤巨資訊股份有限公司  
GROOVY TECHNOLOGY CORP.

SPECIFICATIONS OF TOUCH CONTROLLER

觸控面板控制器標準規範書

Date(日期): 2004/12/23

Customer(客戶):

Model(型式): ET-1232C

Mode(種類):


Customer Approval(客戶確認)

Customer Approval(客戶確認)

Approve(確認)	Checked(審閱)	Preparation(製表)

**GROOVY TECHNOLOGY CORP.**  
2F,NO.2,LANE 252,SEC.3,CHUNG GHING N. ROAD  
N.ROAD,TAIPEI,TAIWAN  
TEL : 02-25952775 FAX : 02-25949489  
EMAIL : groovy@seed.net.tw  
http : //www.gtouch.com.tw

坤巨資訊股份有限公司  
台北市重慶北路三段 252 巷 2 號 2 樓  
電話 : 02-25952775 傳真 : 02-25949489  
EMAIL : groovy@seed.net.tw  
網址 : http : //www.gtouch.com.tw

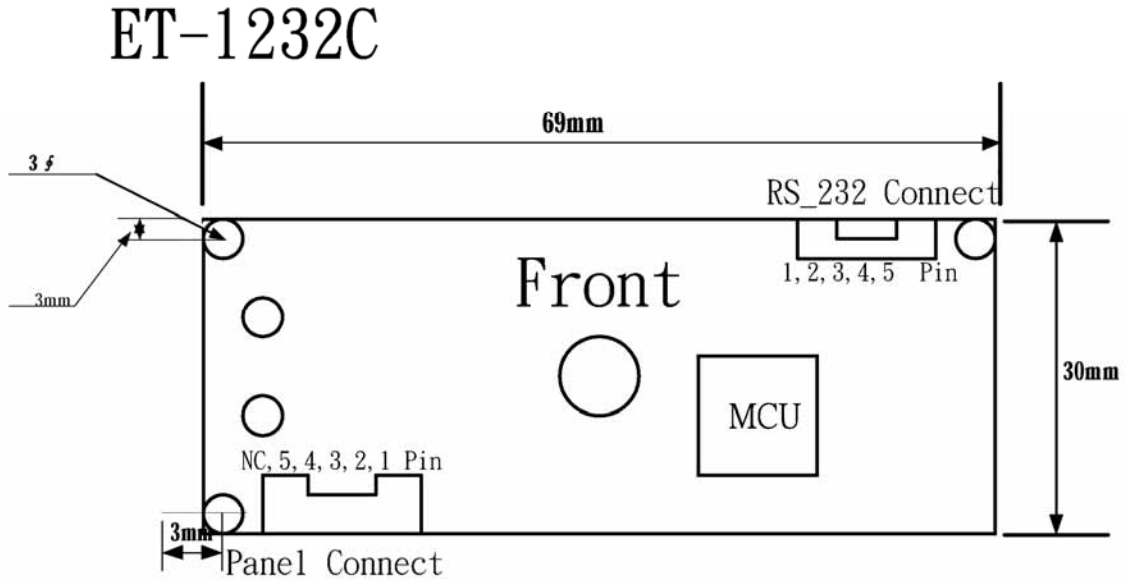
ET-1232C	SPECIFICATIONS		
ITEM			
<b>OVERVIEW</b>	<p>ET-1232C supports mainly 4-wire analog resistive touch panel. It could imitate mouse function by getting touch function via RS-232 port to connect PC. Moreover, it could be installed general OS (e.g. Windows or Linux) for matching common request. If customers need to developing formula on their own, we also could provide necessary protocol.</p>		
<b>Interface</b>	Serial RS-232		
<b>Touch Resolution</b>	Above 2048 X 2048		
<b>Response time</b>	Max. 35 ms		
<b>Supply Voltage</b>	Derived from RS-232 port		
<b>Power consumption</b>	Idle : 10mA      Active : 12mA		
<b>Operation Temperature</b>	0 ~ 70°C 10% to 90% RH, non-condensing		
<b>Storage Temperature</b>	-30°C ~ 85°C 10% to 90% RH, non-condensing		
<b>LED</b>	Touch/Untouch indication		
<b>Dimension</b>	PCB: 2.71" X 1.18" (69mm x 30mm)		
	CASE: 3.11" X 1.50" (79mm x 38mm)		



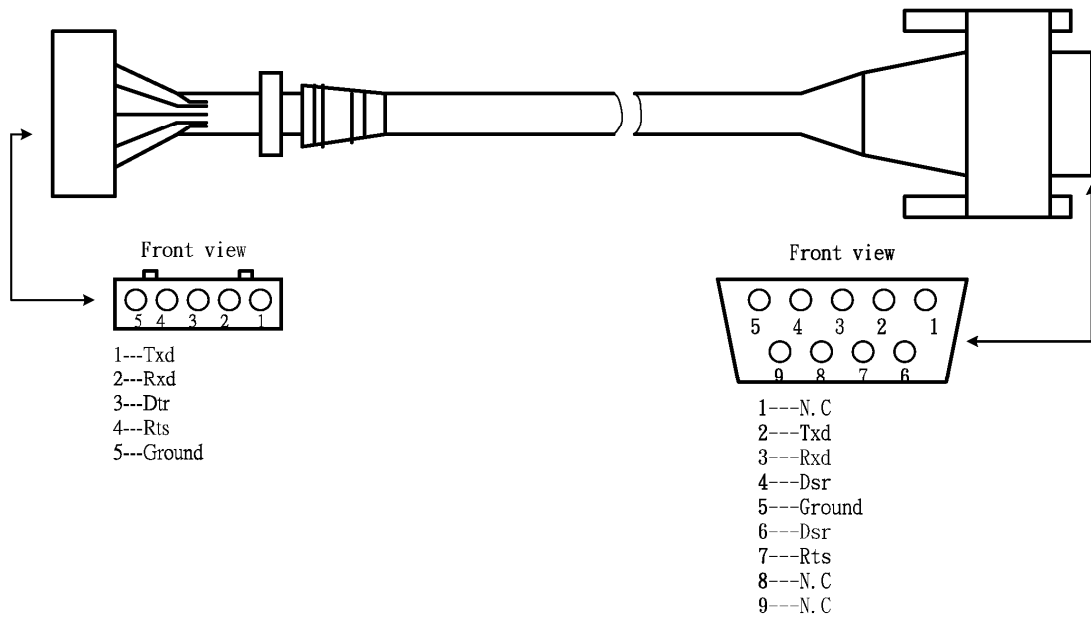
ET-1232C

# SPECIFICATIONS

- Total Width: 30 mm
- Total Length: 69 mm (including connectors)



## RS\_232 cable

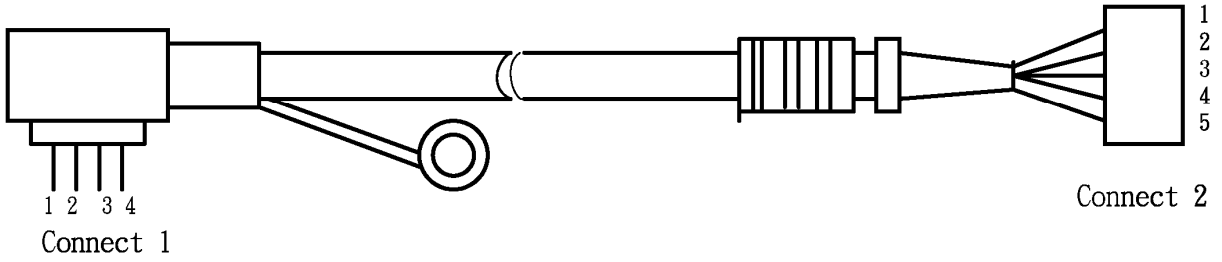


ET-1232C

# SPECIFICATIONS

- Connect1 :Y+ Y- X+ X-

Panel connect



## Pin Assignment

Connect 1		Connect 2
1	↔	4
2	↔	5
3	↔	2
4	↔	3
shell	↔	1

-